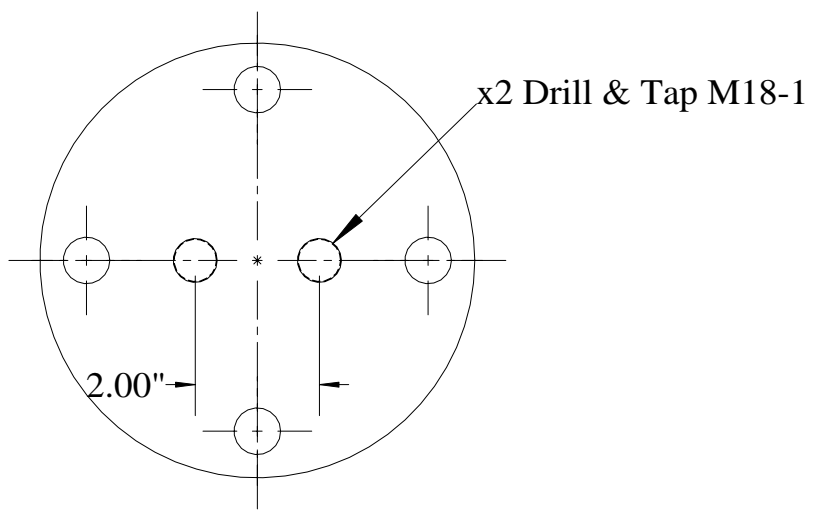


CAD DRAWING - ALL REVISIONS MUST BE MADE TO THE FILE DISK				
DATE		SYN		REVISION RECORDED
7/28/04				Initial Release



*UNLESS OTHERWISE SPECIFIED- DIMENSIONS ARE IN INCHES	
DECIMALS	ANGULAR
XXX /100	1 0 DEG 30 MIN
XXXX /1000	
XXXXX /10000	
NO MIT SCALE DRAWING	
MATERIAL:	304 SS
FINISH:	NA
HARDNESS:	NA

HK Instrument Systems

90 Clairton Blvd.
Pittsburgh Pa. 15236
PHONE 412 653-9511/FAX 412 291-1245
<http://www.hkinstruments.com>

THIS DRAWING AND ALL INFORMATION THEREIN IS THE PROPERTY OF HK INSTRUMENTS. IT IS CONFIDENTIAL AND MUST NOT BE MADE PUBLIC OR COPIED. IT IS LOANED AND IS SUBJECT TO RETURN UPON DEMAND. IT IS NOT TO BE USED DIRECTLY OR INDIRECTLY IN ANY MANNER DETRIMENTAL TO THE INTEREST OF HK INSTRUMENTS.			APPROVED
TITLE			
2 1/2" Blind Flange			
SIZE	DRAWN	DWG NUMBER	
B	bg 7/28/04		
SCALE	N/A	CHECKED	SHEET
		cf	1 of 1