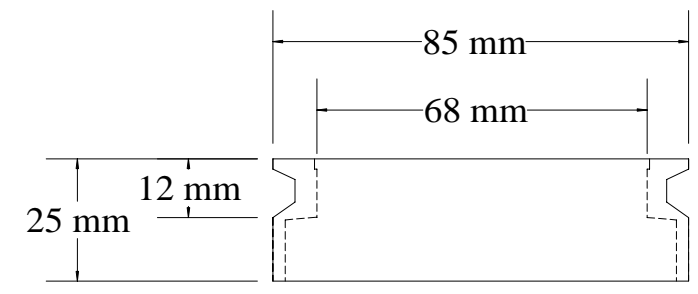
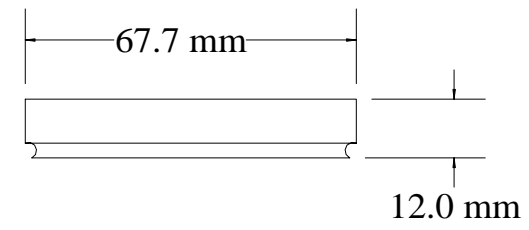
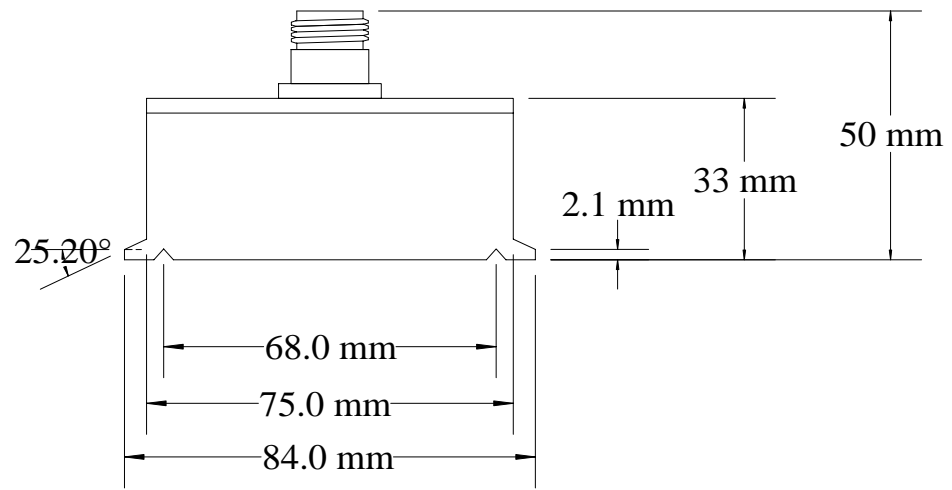


CAD DRAWING - ALL REVISIONS MUST BE MADE TO THE FILE DISK					
REVISION RECORD			AUTH	DR	CHK



UNLESS OTHERWISE SPECIFIED -
DIMENSIONS ARE IN INCHES
TOLERANCES: ANGULAR 1.0 DEG 30 MIN
DECIMALS .XXX 7/8
XXXX .005
XXXXX .0005
NO NET SCALE DRAWING

MATERIAL: _____

FINISH: _____

HARDNESS: _____

HK Instrument Systems

90 Clairton Blvd.
Pittsburgh Pa. 15236
PHONE 412 653-9511/FAX 412 291-1245
<http://www.hkinstruments.com>

THIS DRAWING AND ALL INFORMATION THEREIN IS THE PROPERTY OF HK INSTRUMENTS. IT IS CONFIDENTIAL AND MUST NOT BE MADE PUBLIC OR COPIED. IT IS LOANED AND IS SUBJECT TO RETURN UPON DEMAND. IT IS NOT TO BE USED DIRECTLY OR INDIRECTLY IN ANY MANNER DETRIMENTAL TO THE INTEREST OF HK INSTRUMENTS.

APPROVED _____

TITLE _____

SIZE	DRAWN	DWG NUMBER
B		
SCALE	CHECKED	SHEET
N/A		