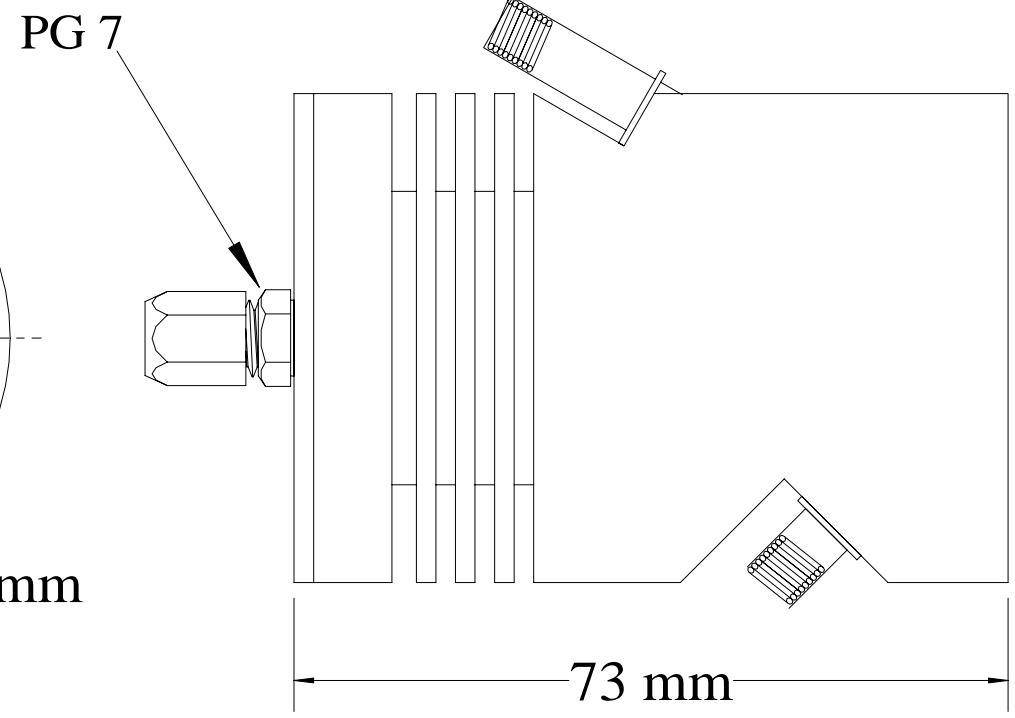
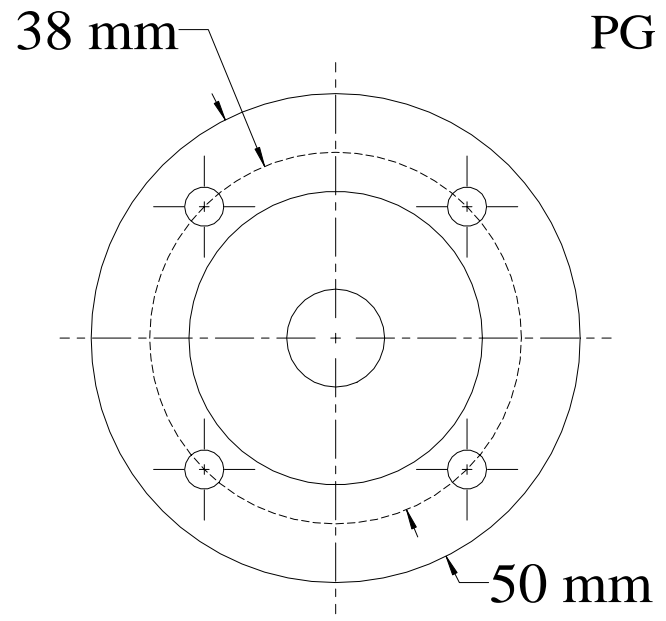


CAD DRAWING - ALL REVISIONS MUST BE MADE TO THE FILE DISK				
DATE	SYM	REVISION	RECORD	AUTH



UNLESS OTHERWISE SPECIFIED -
DIMENSIONS ARE IN INCHES
TOLERANCES: ANGULAR 1.0 DEG 30 MIN
DECIMALS .XXX .005
XXX .005
XXXX .005
MATERIAL: 303 STAINLESS STEEL
FINISH: 303 STAINLESS STEEL
HARDNESS: 303 STAINLESS STEEL

HK Instrument Systems
90 Clairton Blvd.
Pittsburgh Pa. 15236
PHONE 412 653-9511/FAX 412 291-1245
<http://www.hkinstruments.com>

THIS DRAWING AND ALL INFORMATION THEREIN IS THE PROPERTY OF HK INSTRUMENTS. IT IS CONFIDENTIAL AND MUST NOT BE MADE PUBLIC OR COPIED. IT IS LOANED AND IS SUBJECT TO RETURN UPON DEMAND. IT IS NOT TO BE USED DIRECTLY OR INDIRECTLY IN ANY MANNER DETRIMENTAL TO THE INTEREST OF HK INSTRUMENTS.

APPROVED

TITLE

SIZE: B DRAWN: DWG NUMBER: SCALE: N/A CHECKED: SHEET: