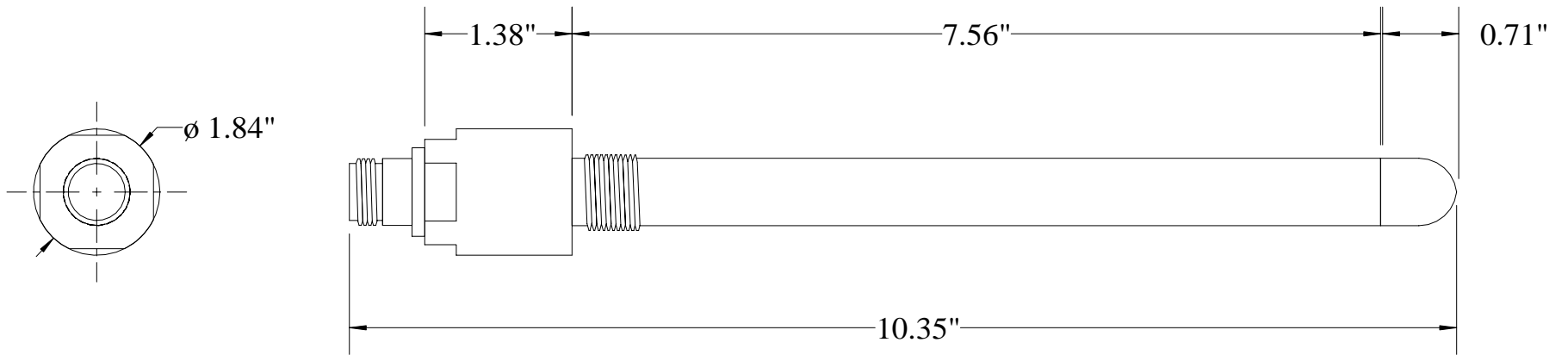


CAD DRAWING - ALL REVISIONS MUST BE MADE TO THE FILE DISK					
REVISION RECORD			AUTH	BY	OK
DATE	SYM				
7/12/04		Initial Release	bg		



\*UNLESS OTHERWISE SPECIFIED-  
DIMENSIONS ARE IN INCHES

DECIMALS	TOLERANCES
XXX .XX	ANGULAR
XXXX .XXX	1.0 DEG 30 MIN
XXXXX .XXXX	
	NO NET SCALE DRAWING

MATERIAL: NA

FINISH: NA

HARDNESS: NA

**HK Instrument Systems**  
 90 Clairton Blvd.  
 Pittsburgh Pa. 15236  
 PHONE 412 653-9511/FAX 412 291-1245  
<http://www.hkinstrumentsbg.com>

THIS DRAWING AND ALL INFORMATION THEREIN IS THE PROPERTY OF HK INSTRUMENTS. IT IS CONFIDENTIAL AND MUST NOT BE MADE PUBLIC OR COPIED. IT IS LOANED AND IS SUBJECT TO RETURN UPON DEMAND. IT IS NOT TO BE USED DIRECTLY OR INDIRECTLY IN ANY MANNER DETRIMENTAL TO THE INTEREST OF HK INSTRUMENTS.

APPROVED

TITLE		Standard Long Pin	
SIZE	DRAWN	DWG NUMBER	
B	bg 7/12/04	PIN-001	
SCALE	N/A	CHECKED	cf
		SHEET	1 of 1